



**TANDAM AXLE COMBO**  
20-40' / 40-45'

---

**BUILT  
TOUGH  
RELIABLE  
SMART**

[www.panususa.com](http://www.panususa.com)



Panus USA is a NJ based Intermodal Equipment provider with full range of Intermodal Chassis and Trailers servicing most import / export hubs in the US Market.

The team at Panus is composed of seasoned professionals from within the intermodal industry including expert engineers utilizing cutting edge technology.

Providing the Intermodal Industry with the most reliable, durable and cost efficient chassis on the market.

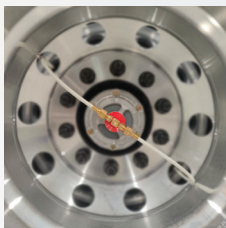
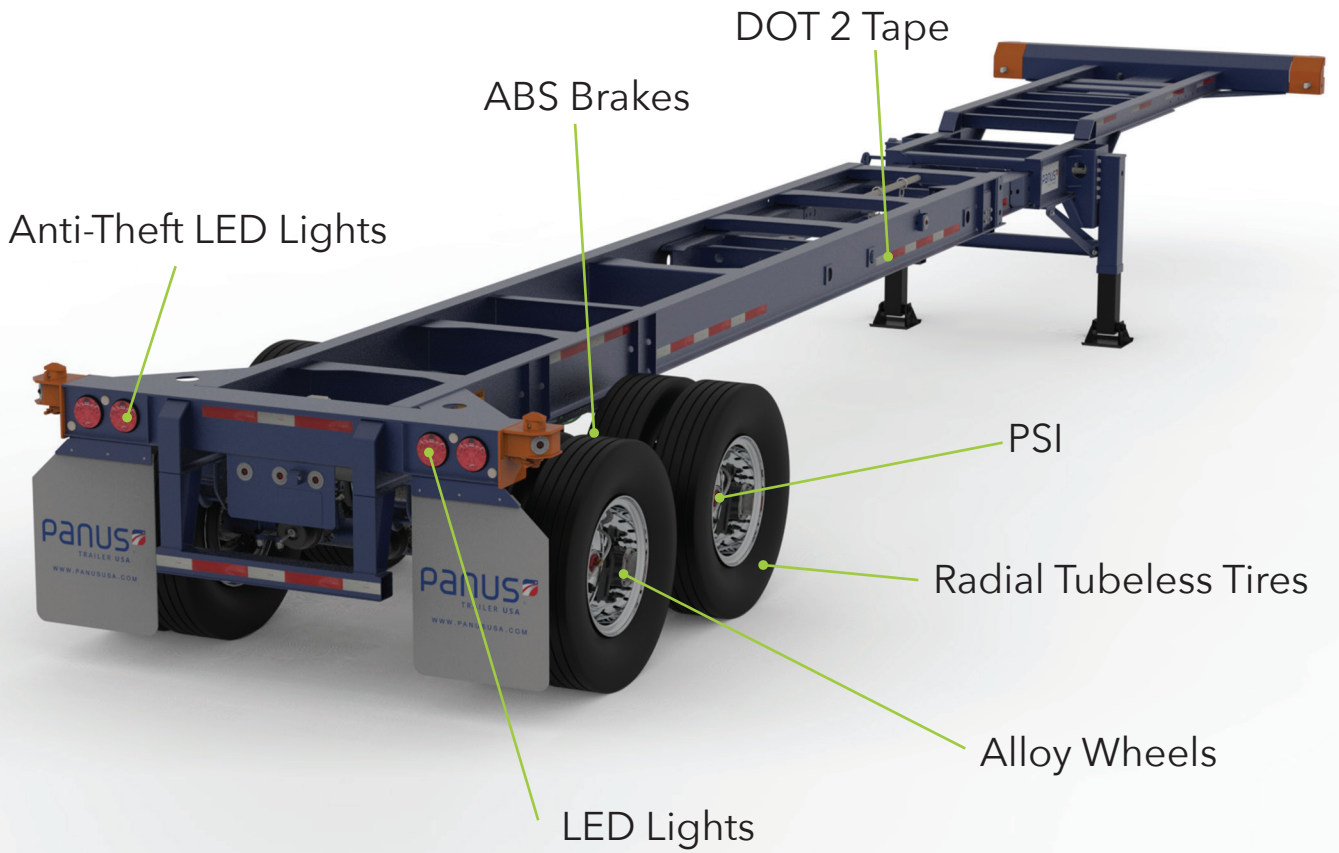
What began in 1969 at PANUS Thailand is extended in progression to facilitate the export of goods and has expanded to become a global provider of Intermodal Chassis with various configurations and multi-mode loading units.

[www.panususa.com](http://www.panususa.com)



# SERIES FEATURES

PS2-SC1401U / PS2-SC1248U



PSI System



ABS Brakes



Radial Tubeless Tires



Hub Piloted Drum



DOT C2 Conspicuity Tape



LED Marker Lamps



Polished Alloy Rims



Anti Theft LED Tail Lamps

# MODEL: PS2-SC1401U

EXTENDABLE: 40' - 45'

## FUNCTION

Carries one (1) 40' or one (1) 45' ISO container.

## DIMENSION

OVERALL LENGTH	45' 11 <sup>27</sup> / <sub>32</sub> " EXTENDED / 40' 11 <sup>27</sup> / <sub>32</sub> " RETRACTED (EXCLUDED REAR BUMPER)
OVERALL WIDTH	96"
FIFTH WHEEL HEIGHT	48" ± 1"
REAR DECK HEIGHT	48" - 1"
KINGPIN LOCATION	30" (FROM REAR FACE OF REAR BOLSTER)
AXLE SPREAD	49"
TANDEM LOCATION	56" (FROM REAR FACE OF REAR BOLSTER)
TARE WEIGHT	8000 LBS (+- 2%)
GROSS VEHICLE WEIGHT RATING	74,600 LBS

## FUNCTIONAL ACCESSORIES

LANDING GEAR	JOST A440 MAGNUM 2 SPEED 17 INCH 62,500 LBS CAPACITY - MADE IN USA
KINGPIN	JOST 2" AAR APPROVED KINGPIN

## RIMS & TIRES

RIMS	HUB PILOTED 22.5 X 8.25 STEEL RIMS
TIRES	11 R 22.5 TUBELESS 14 PLY
HUB & DRUM	10 STUD HUB PILOTED WITH OUTBOARD CAST STEEL DRUMS

## BRAKE SYSTEM

BENDIX 2S/1M ABS SYSTEM PHILLIPS GLADHAND.  
HALDEX / BENDIX 30/30 BRAKE CHAMBER

## STRUCTURE

MATERIAL	HOT ROLLED ASTM - A992   GR50 & GR65
PAINTING	SHOT BLASTED, PRIMED BY 75% COMPOSITON ZINC RICH PRIMER WITH URETHANE TOP COAT.
MAIN BEAM	W12@19 LB/FT HOT-ROLLED I-BEAM
EXTENSION BEAM	W8 @ 18 LB/FT HOT ROLLED I-BEAM
CROSSMEMBER	3/16" THICK X 3" WIDE X 9" HIGH CHANNEL WITH GUSSETS ON TOP OF EACH OTHER.
UPPER COUPLER	5/16" THICK W/ 2" DIA. DRAIN HOLES, REINFORCED BY 1/4" THICK CHANNEL TYPE KINGPIN SUPPORTS. JOST 2" AAR CERTIFICATED KINGPIN
FRONT BOLSTER	8" WIDE X 10" HIGH, 1/4" THICK OPEN SECTION, WITH 3-1/2" CHAMFER IN FULL LENGTH FOR GATHERING CONTAINER IN OPERATION. ONE PIECE CORNER CASTING WELDED ON BOTH ENDS
GN BEAM	5-1/4" HIGH X 4" WIDE FABRICATED H-BEAM, 1/2" THICK FLANGE AND 3/8" THICK WEB.
REAR BOLSTER	8" WIDE X 3/8" THICK TOP PLATE WITH 6-7/8" WIDE X 8" DEEP X 1/4" THICK "U" CHANNEL.
LOCKING DEVICE	TWO LOCKING PINS ON FRONT BOLSTER TWO NON RETRACTABLE CORNER TWISTLOCKS IN REAR BOLSTER

## AXLES & SUSPENSION

SAF HOLLAND MADE IN INDIA - 5" ROUND AXLES. 22,500 LBS CAPACITY, 71.5" TRACK. 16.5 X 7" Q BRAKES. 28 SPLINE - 5.5" HALDEX AUTO SLACKS.
PSI MTIS TANDEM TIRE INFLATION SYSTEM
Hutch Model # H9700T 49 OS UN/MT-I 5RD 7/8 3 Leaf heavy duty springs 365-00

## ELECTRICAL SYSTEM

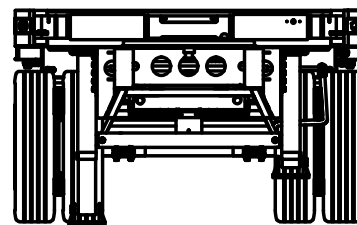
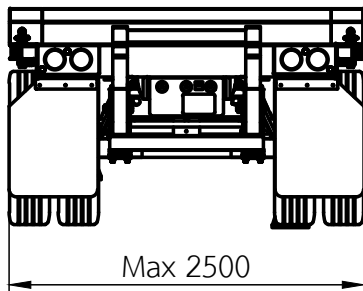
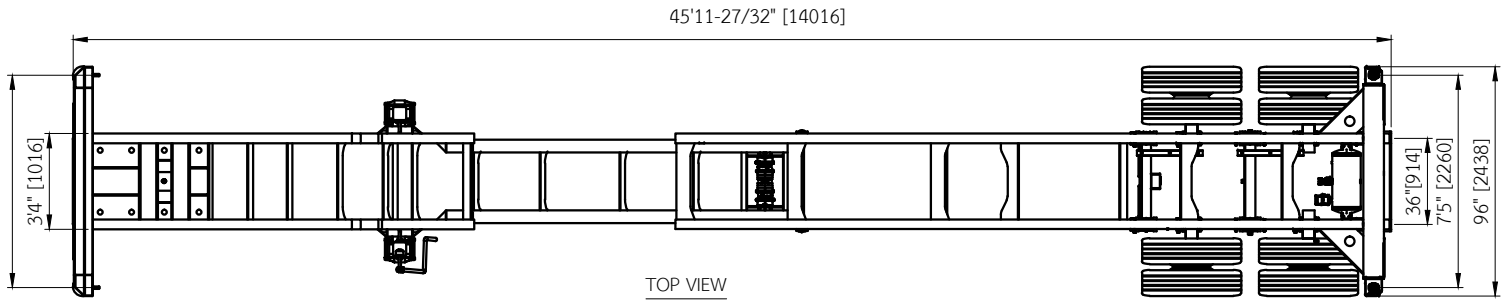
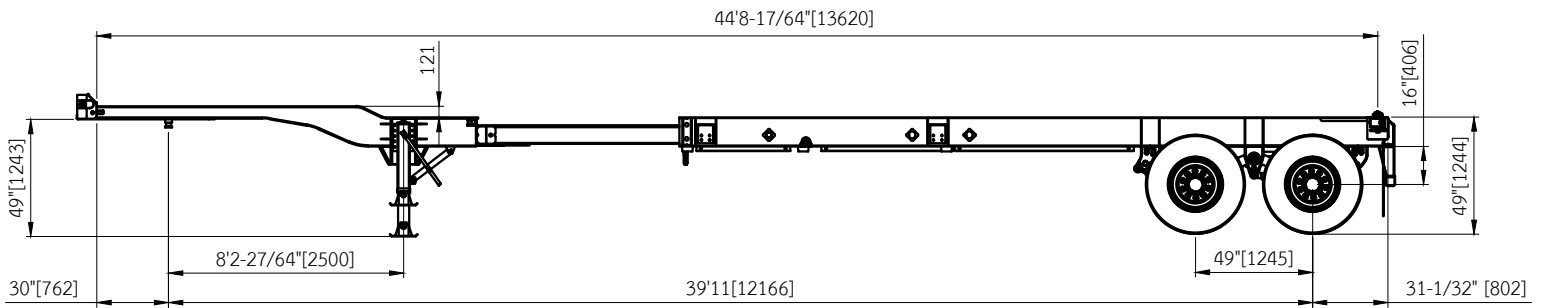
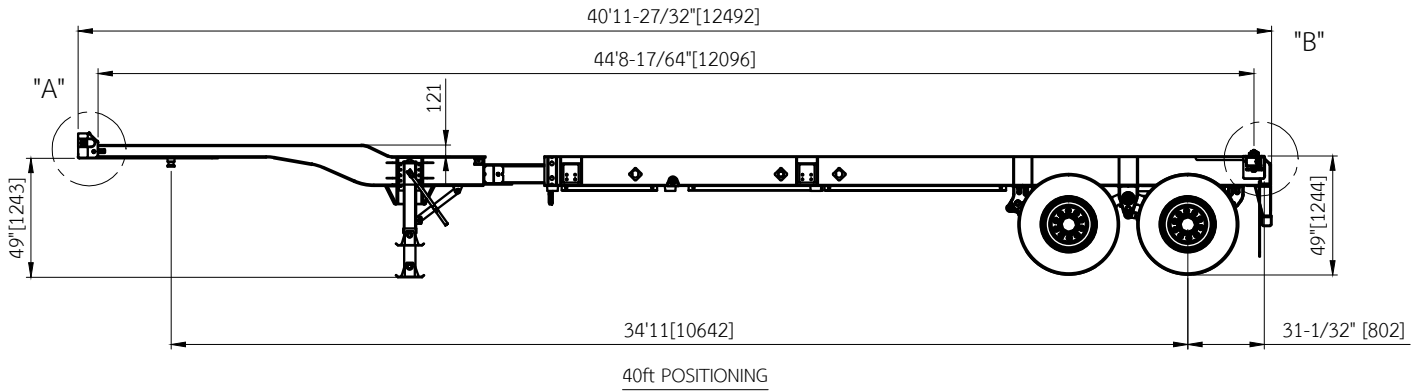
PHILLIPS 12 VOLT LED LIGHTING SYSTEM AND MODULAR WIRING HARNESS. 4" ROUND ANTI-THEFT STOP-TAIL-TURN LIGHT. PHILLIPS 7 PIN CONNECTOR.
--

## MISC

PHILLIPS DOCUMENT HOLDER, DOT C2 CONSPICUITY TAPES
--

# MODEL: PS2-SC1401U

EXTENDABLE: 40' - 45'



# MODEL: PS2-SC1248U

EXTENDABLE: 20' - 40'

## FUNCTION

Carries one (1) 20' or one (1) 40' ISO container.

## DIMENSION

OVERALL LENGTH	30' 6-5/8" CLOSED / 40' 11-9/16" EXTENDED
OVERALL WIDTH	96"
FIFTH WHEEL HEIGHT	47" +1"
REAR DECK HEIGHT	48" + 1"
KINGPIN LOCATION	24"
AXLE SPREAD	49"
TANDEM LACATION	29' 13/16" (FROM REAR FACE OF REAR BOLSTER TO CENTER OF REAR AXLE)
TARE WEIGHT	7,400 LBS
GROSS VEHICLE WEIGHT RATING	52,700 IBS FOR 20' CONTAINER (MAX PAY LOAD OF 20' CONTAINER IS 45,200 LBS) 72,650 IBS FOR 40' CONTAINER (MAX PAY LOAD OF 20' CONTAINER IS 65,150 LBS)

## FUNCTIONAL ACCESSORIES

LANDING GEAR	JOST A440 MAGNUM 2 SPEED 17 INCH 62,500 LBS CAPACITY - MADE IN USA
KINGPIN	JOST 2" AAR APPROVED KINGPIN

## RIMS & TIRES

RIMS	HUB PILOTED 22.5 X 8.25 FORGED ALUMINIUM RIMS
TIRES	11 R 22.5 TUBELESS 14 PLY
HUB& DRUM	10 STUD HUB PILOTED WITH OUTBOARD CAST STEEL DRUMS

## BRAKE SYSTEM

BENDIX 2S/1M ABS SYSTEM PHILLIPS GLADHAND.  
HALDEX / BENDIX 30/30 BRAKE CHAMBER

## STRUCTURE

MATERIAL	HOT ROLLED ASTM - A572   GR50 & GR65
PAINTING	SHOT BLASTED, PRIMED BY 75% COMPOSITON ZINC RICH PRIMER WITH URETHANE TOP COAT.
MAIN BEAM	W12@19 LB/FT HOT-ROLLED I-BEAM
EXTENSION BEAM	W8 @ 18 LB/FT HOT ROLLED I-BEAM
LOCKING SYSTEM	TWO (2) AIR OPERATED LOCKING PINS. ACTIVATION OF PINS THROUGH THIRD GLADHAND ON THE FRONT BOLSTER
CROSSMEMBER	FABRICATED CHANNEL TYPE NOT LESS THAN 3/16" THICK
UPPER COUPLER	5/16" THICK WITH 2" DRIAN HOLE, REINFORCED BY 1/4" THICK CHANNEL TYPE KING PIN SUPPORTERS FOR JOST AAR CERTIFICATED APPROVED
FRONT BOLSTER	8"WIDE X 10" HIGH X 1/4" THICK OPEN SECTION, W/ 3 -1/2" CHAMFER IN FULL LENGTH FOR GATHERING CONTAINER IN OPERATION, 1 PIECE CORNER CASTING WELDED AT BOTH ENDS
CENTER BOLSTER	5-7/8" WIDE X 3/8" THICK TOP PLATE WITH 5" WIDE X 5" DEEP X 5/16" THICK "U" TYPE BOTTOM CHANNEL.
REAR BOLSTER	8" WIDE X 3/8 THICK TOP PLATE WITH 6-7/8" WIDE X 8" DEEP X 1/4" THICK "U" CHANNEL
LOCKING DEVICE	TWO LOCKING PINS ON FRONT BOLSTER TWO RETRACTABLE CENTER TWISTLOCKS ON MIDDLE BOLSTER TWO NON RETRACTABLE CORNER TWISTLOCKS IN REAR BOLSTER

## AXLES & SUSPENSION

SAF HOLLAND MADE IN INDIA - 5" ROUND AXLES, 22,500 LBS CAPACITY, 71.5" TRACK . 16.5 X 7" Q BRAKES. 28 SPLINE - 5.5" HALDEX AUTO SLACKs.
PSI MTIS TANDEM TIRE INFLATION SYSTEM
Hutch Model # H9700T 49 OS UN/MT-I 5RD 7/8 3 Leaf heavy duty springs 365-00

## ELECTRICAL SYSTEM

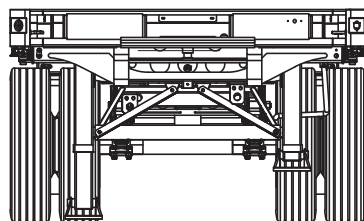
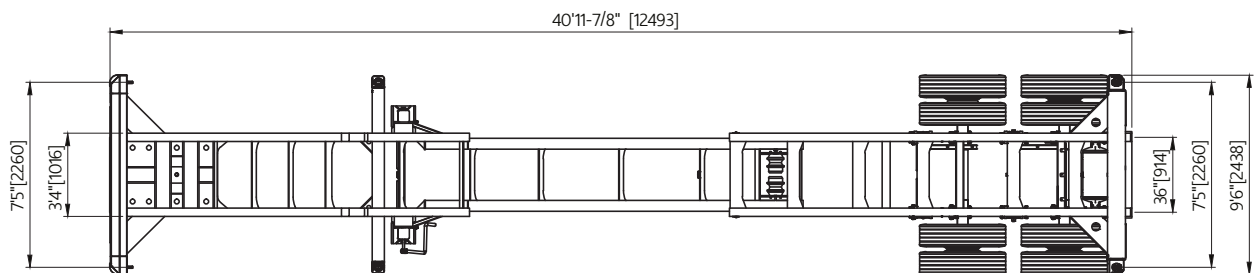
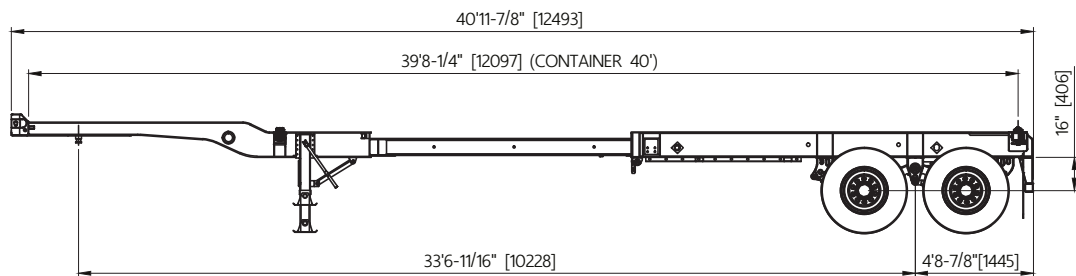
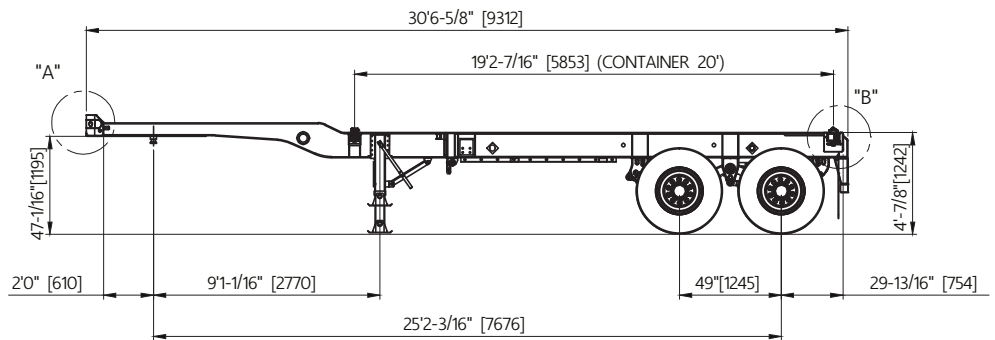
PHILLIPS 12 VOLT LED LIGHTING SYSTEM AND MODULAR WIRING HARNESS. 4" ROUND ANTI-THEFT STOP-TAIL-TURN LIGHT PHILLIPS 7 PIN CONNECTOR
--

## MISC

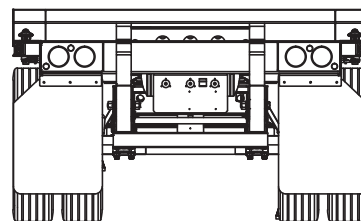
PHILLIPS DOCUMENT HOLDER, DOT C2 CONSPICUITY TAPES
--

# MODEL: PS2-SC1248U

EXTENDABLE: 20' - 40'



FRONT VIEW



REAR VIEW





[www.panususa.com](http://www.panususa.com)

tel: 800-507-2494 | e-mail: [info@panususa.com](mailto:info@panususa.com)

---

Panus USA LLC

78 John Miller Way, Ste. 421, Kearny, NJ 07032

**PANUS**   
TRAILER USA